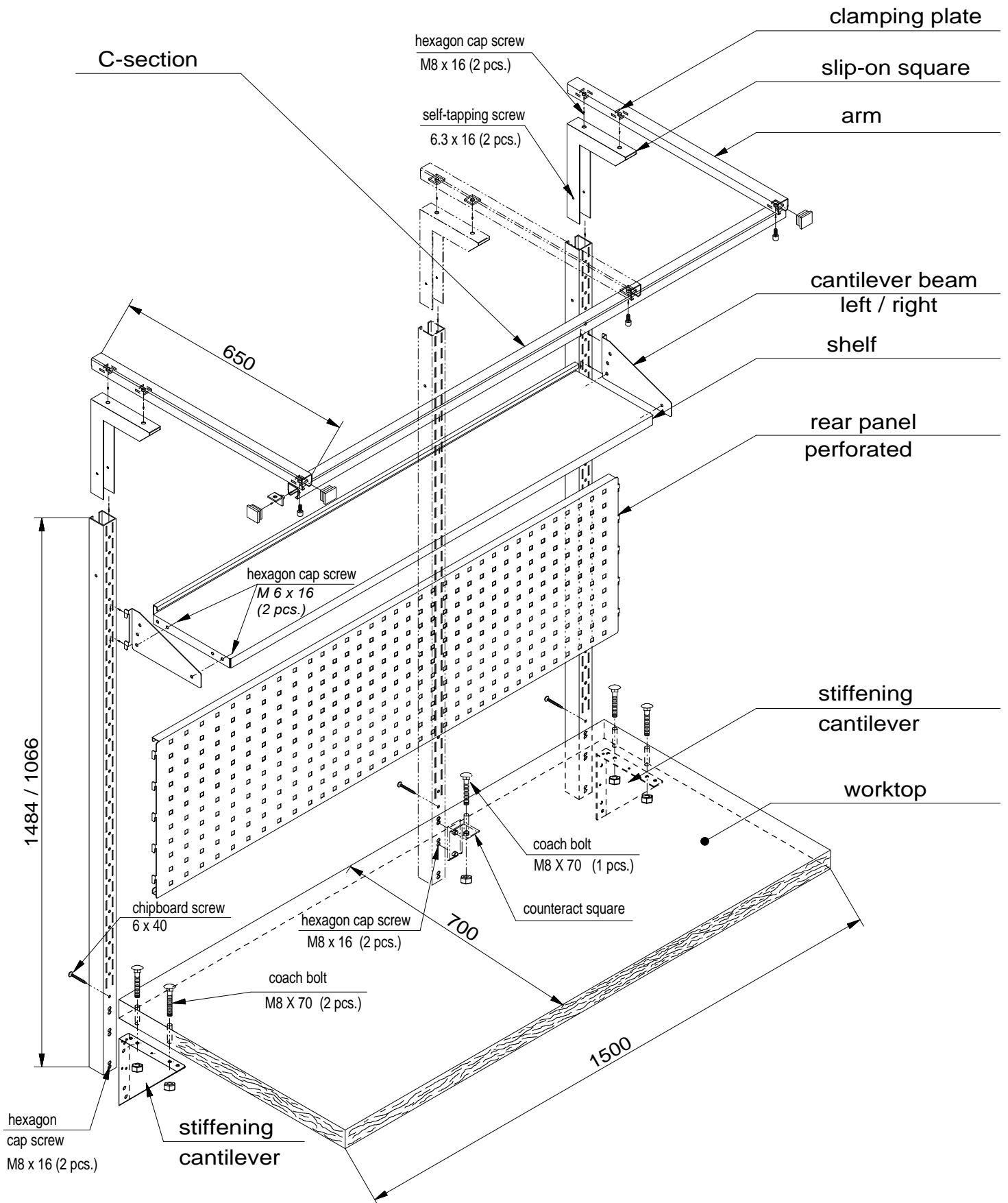
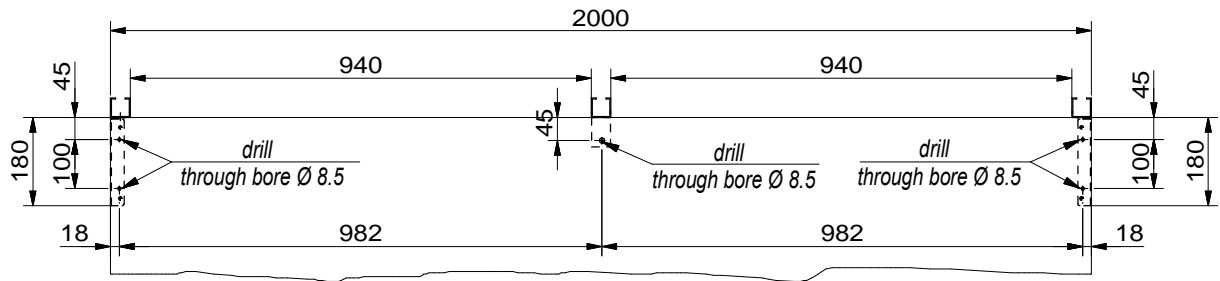
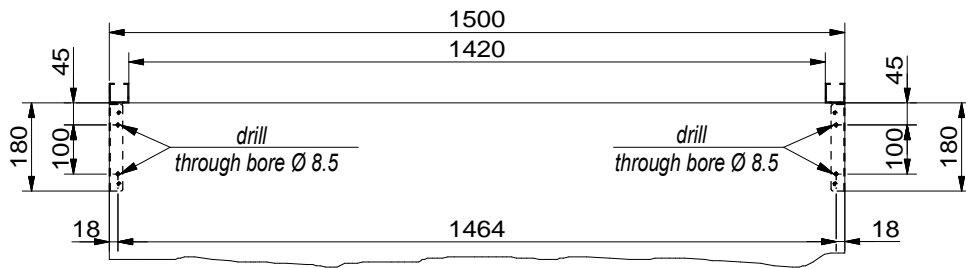
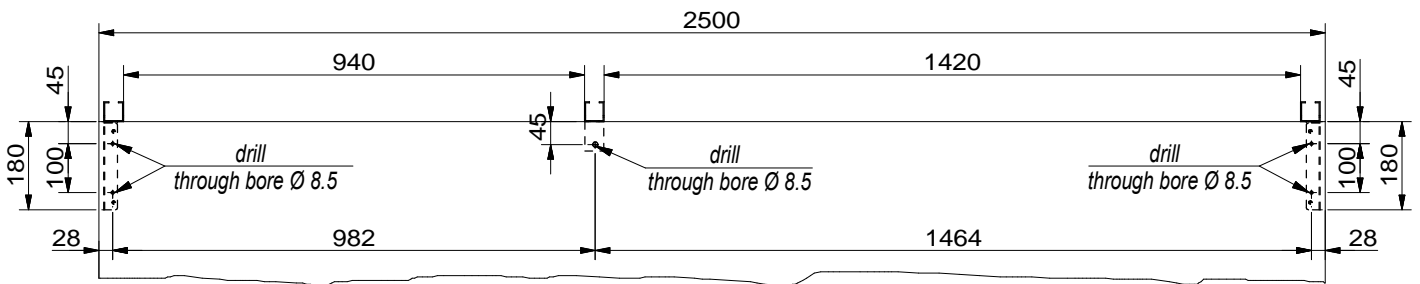


# Assembly instructions for workbench topwork





by worktop length 2000 mm 1 pcs. mounting support central



by worktop length 2500 mm 1 pcs. mounting support an 1 pcs. arm off-center

