

User manual Set-up instructions

Drawer units and assembly cart



- RS 440
- RS 565
- RS 576
- RS 717
- RS 1000
- RS 1024
- RS 1196
- RS 1434



Please note before set-up and initial loading!

Warning — tipping hazard!

Secure the cabinet against tipping with a mounting device appropriate to the floor conditions.

Appropriate holes have been provided in the bottom of the cabinet.



Bolt the cabinets to the floor or wall. Tipping hazard!



Before initial loading, install the labels, clear plastic strips and end caps. Protect the left and right end caps against damage and affix the labels and clear plastic strips in the handle. Right end cap with clearance hole for individual locking.



Load all drawers equally — tipping hazard
Load each drawer in 10 kg steps, always starting with the lowest drawer!
For maximum load per drawer, see the load chart on page 3.



The cabinets must be set on a level surface.
If necessary, align the cabinets and set them plumb.



Be aware of the maximum load index. Always be sure to load equally.



Transport drawer units only with the central lock engaged.
When transporting with a forklift, the front side of the cabinet must always point toward the shaft.



Do not climb on open drawers! Do not sit on drawers! Tipping hazard!

Additional instructions for mobile cabinets



Load all drawers equally — tipping hazard
Load each drawer in 10 kg steps, always starting with the lowest drawer!
Max. load per drawer: 50 kg.



When operating the drawers, always lock both castors.
Attention: The drawers have an individual safety device in the handle (right side). This must be slid to the left during opening.



Always move mobile cabinets with both hands on the handles. Beware of uneven and sloping paths — tilting hazard!

Load capacity

The load capacity of the drawers and cabinet body are valid for evenly distributed static loads.

Cabinet model	Height (mm)	Standard extension (kg)	Full extension (kg)	Total cabinet housing load (kg)	Average unladen weight with 7 empty drawers (kg)
RS 440	625	90	100	1000	60
	800	90	100	1000	70
RS 565	425	100	200	1500	55
	625	100	200	1500	80
	800	100	200	1500	90
	1000	100	200	1500	110
RS 576	425	90	100	1500	45
	625	90	100	1500	70
	800	90	100	1500	80
	1000	90	100	1500	90
RS 717	425	100	200	1500	65
	700	100	200	1500	90
	850	100	200	1500	105
	1000	100	200	1500	125
	1150	100	200	1500	140
	1325	100	200	2000	150
	1450	100	200	2000	165
	1625	100	200	2000	195
RS 1000	1000	100	200	1500	170
	1450	100	200	2000	200
RS 1024	850	100	200	1500	155
	1000	100	200	1500	165
	1325	100	200	2000	200
RS 1196	850	100	200	1500	165
	1000	100	200	1500	175
	1325	100	200	2000	210
RS 1434	850	-	200	1500	180
	1000	-	200	1500	190
	1325	-	200	2000	225

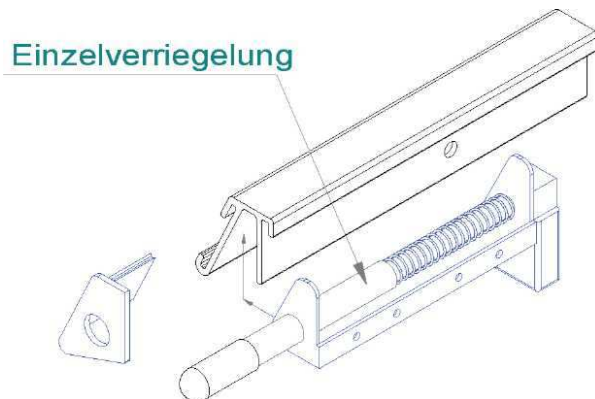
Intended use

When in doubt about use, operation or set-up, please consult Lokoma GmbH.

Drawer units are suitable for storage of drilling and cutting tools, small and standard parts, spare parts, etc.

Drawer units are NOT suitable for unpackaged foods and hazardous materials.

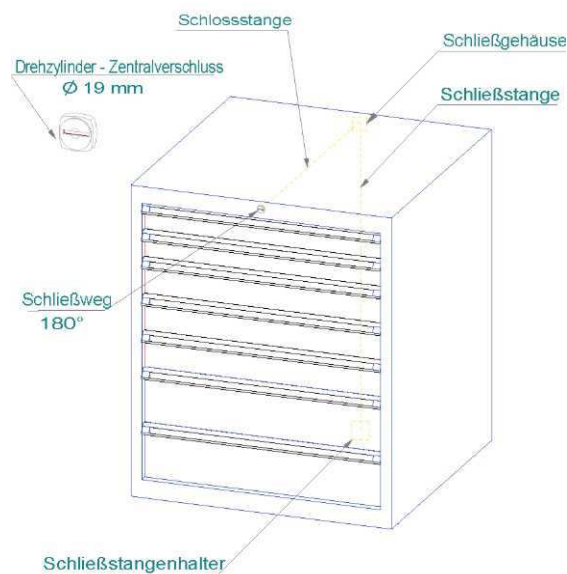
When transporting drawer units in utility vehicles, and with mobile drawer units, the drawers must be installed, individually locked, and also centrally locked.



Central locking function

Turning the key rightward 180° releases all the drawers.

If any drawer is pulled out, all other drawers are locked with the locking rod (pull-out lock). After the drawer is slid back in, all drawers are free again, and any other drawer can be pulled out. Turning the key leftward 180° locks all drawers (the whole cabinet).



Troubleshooting the lock system

Locking rod hangs out

Grid spring weak or broken. Order a new one. Installation and removal described on page 5.

Before removal, secure the drawers (e.g., with tape) and unload them from top to bottom.

Removing standard-extension drawers

Pull the drawer out to the stop. Lift gently forward and pull it out entirely. Turn the cylinder lock key 180° in the locking direction (open lock position). Remove the next drawer. Repeat this process for all of the drawers.

Removing full-extension drawers

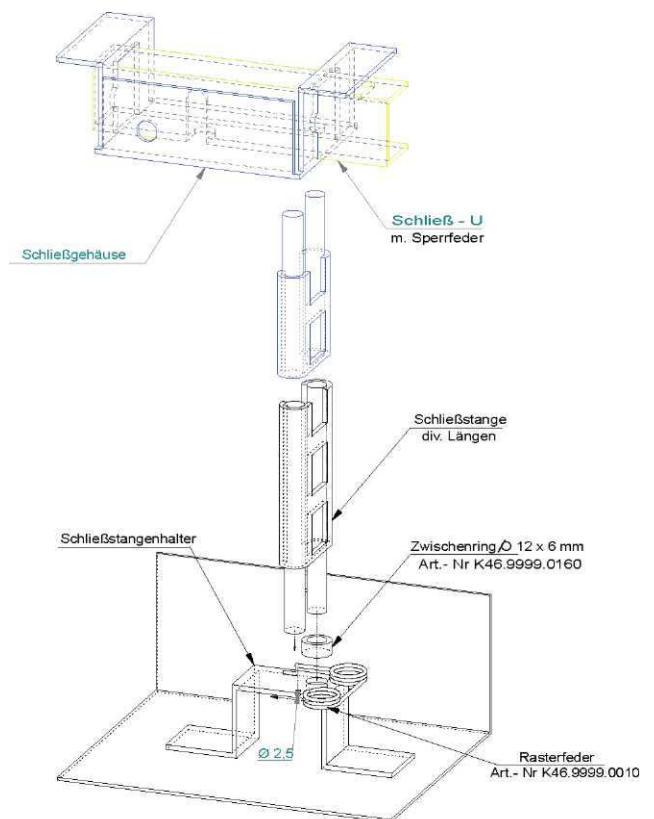
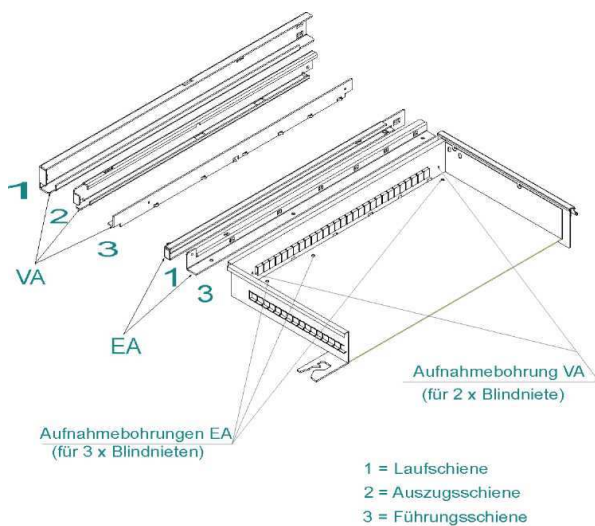
Also pull the drawer out to the stop. Lift gently forward and pull it out entirely.

Engage the cylinder lock.

To install, perform steps 1 and 2 in reverse order.

Changing the guide rails, standard to full extension

Drill out the 2 sets of 3 blind rivets with a 4 mm bit and remove the standard-extension guide rails. Install the full-extension guide rails and rivet them in laterally with two 4 x 8 mm blind rivets.



LOKOMA

Engineering and storage technology

Lokomastrasse 1
89420 Höchstädt, Germany
Tel.: +49 (0) 9074/95 07 -0
Fax.: +49 (0) 9074/95 07 -11
www.lokoma.de