

Assembly instructions for shelf unit with drawers

**LOKOMA****Betriebs- und Lagertechnik**

Lokomastrasse 1

89420 Höchstädt Germany

Tel.: +49 (0) 9074/95 07 -0

Fax.: +49 (0) 9074/95 07 -11

www.lokoma.de

List of contents:

1. Assembly of the basic framework	3
a. Bottom shelf	4
b. Upper shelf	4
c. Middle shelf	5
d. Central locking	5
2. Rear panel / cross bracing	6
3. Security / ground screwing	6
4. Drawers	7
5. Variable shelf panels	8
6. Side panels	8
7. Doors	9

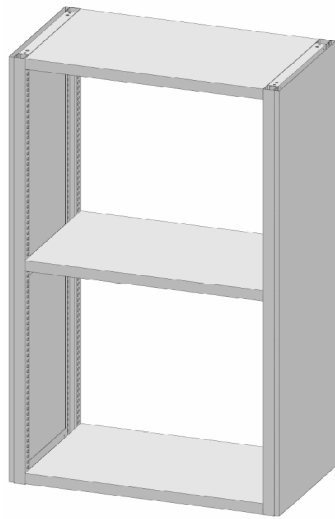
You need the following tools:

Lever brace with
sockets: 10, 13, 15 and 17 mm
Extension
Fork wrench: 10, 13, 15 and 17 mm
Plastic hammer
Wrench for socket head cap screws, size 6
Air lever
Drilling machine with
Stone drill 15 mm
Steel drill 6,5 mm

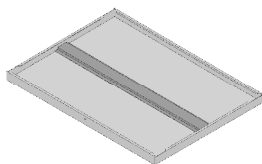
Assembly of the basic framework

Choose bottom shelf, middle shelf and upper shelf, according to your shelf unit type

For simple shelves

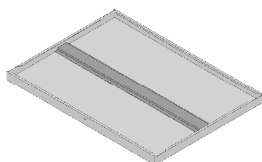


1 combi panel top



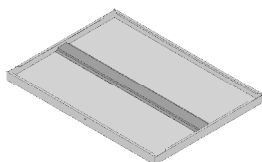
36 R
54 R
64 R
78 R

1 combi panel central



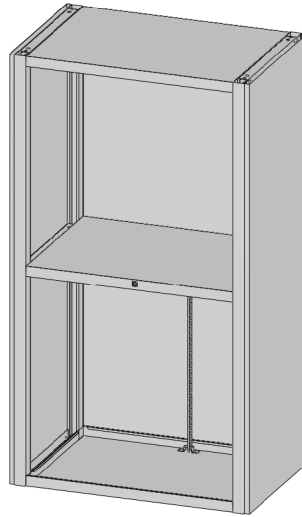
36 R
54 R
64 R
78 R

1 combi panel bottom

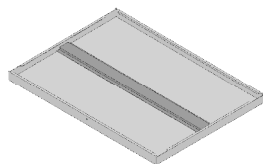


36 R
54 R
64 R
78 R

for shelves with central locking in the lower section

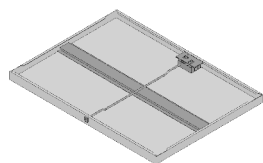


1 combi panel top



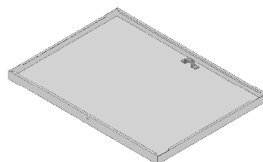
36 R
54 R
64 R
78 R

2 central locking lower section locking panel central



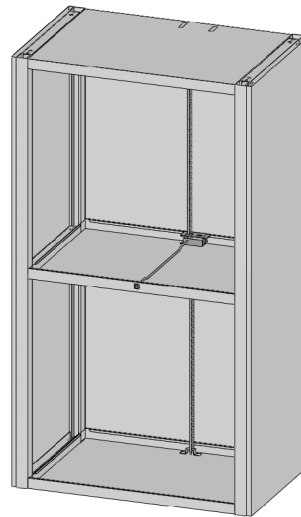
36 R
54 R
64 R
78 R

3 locking panel bottom

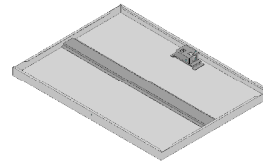


36 R
54 R
64 R
78 R

for shelves with central locking in the complete section

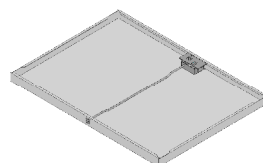


4 Central locking complete section locking panel top



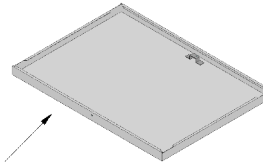
36 R
54 R
64 R
78 R

5 Central locking complete section locking panel central



36 R
54 R
64 R
78 R

3 locking panel bottom



36 R
54 R
64 R
78 R

Vorderseite

Screwing up shelf frame with the bottom shelf

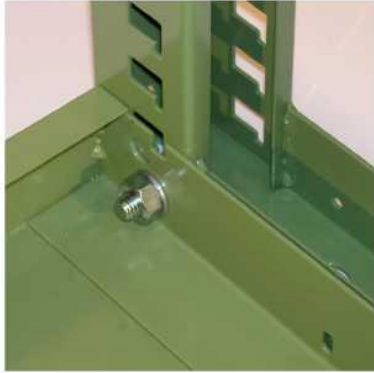
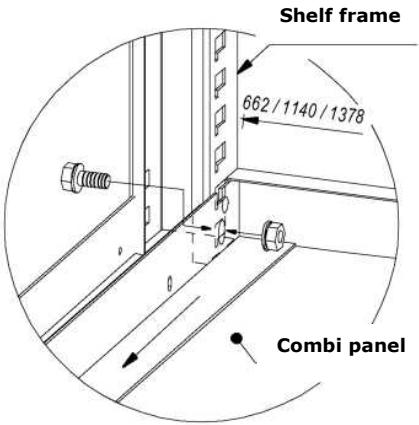
Use a open ended spanner 17 mm for the assembly and a lever brace with an extension and 15 mm socket. Put the hexagon head screw M10x20 through the first screen hole of the frame and into the slotted hole of the shelf panel and screw up the locking tooth nut M 10 with the hand.

Secure that the shelf panel fits tightly to the frame and does not cant with the base element of the frame.

With central locking shelf units all shelf panels have to be pulled forward while being assembled, otherwise the drawers cannot be locked. Fix the screws tightly.

If you want to open the screws again, turn the screw, not the locking nut.

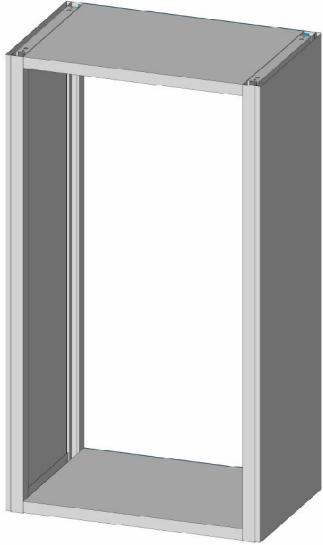
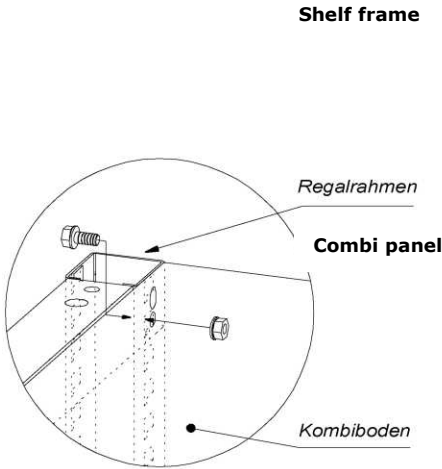
Proceed the same way with the other side.



Combi / locking panel
Screw up with the shelf frame

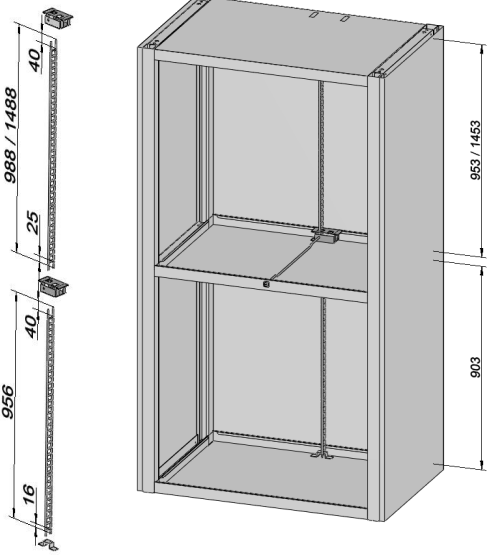
Screwing up shelf frame with the upper shelf

The upper shelf have to be screwed up through the round hole with the shelf frame. If you have a shelf unit with central locking in the upper area, the shelf panel must be pulled forward while being asse BA 007 Index 1 Assembly instructions for shelf unit with drawers ENG.docmblead



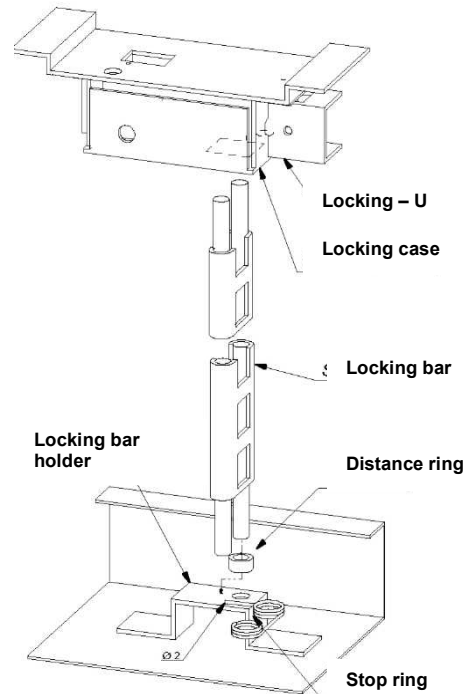
Screwing up the middle shelf panel

The middle shelf panel could be mounted in different heights. If you have a shelf unit with central locking, the pretended height must be used. Here e.g. the usable height of 903 mm. The middle shelf have to be screwed up through the round hole with the shelf frame. If you have a shelf unit with central locking, the shelf panel must be pulled forward while the assembly.



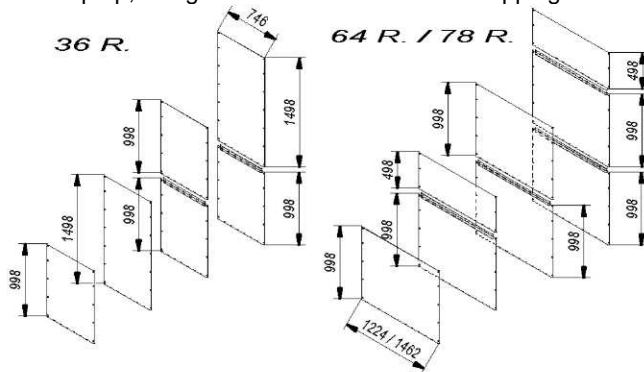
Central locking

1. Insert the stop spring with the cropped end into the drill hole $\varnothing 2$ mm.
2. Put the locking bar into the locking case at the top (into the round and the square hole).
3. Push the distance ring over the rear end of the locking bar.
4. Place the locking bar onto the locking bar holder (not yet into the drill hole).
5. Push the twisted end of the stop spring over the front end of the locking bar.
 - a. By assembly in the upper area: Lay the stop spring relieved onto the sheet metal, put the front end of the locking bar through the twisted end. Hold on to the distance ring at the same time.
6. Put the rear end of the locking bar into the drill hole $\varnothing 8,5$ mm.



Screwing up the rear panel with the shelf frame.

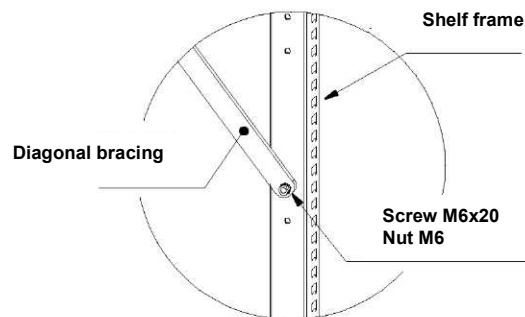
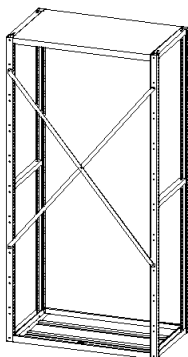
The rear panels are delivered in parts, depending on height and width. Screw on the lowest part on the shelf frame with the overlap up, using a wrench 13 mm and self-tapping screws 8 x 16 mm



Screwing up the cross bracing with the shelf frame

Alternatively a diagonal bracing can be used for reinforcement.

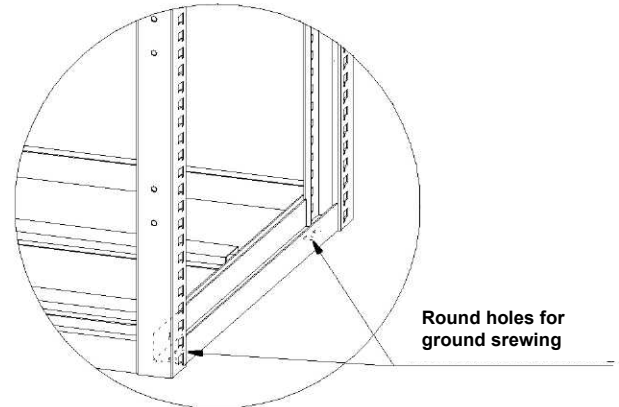
Screw on the diagonal bracing with the screws M 6 x 20 and M 6 nuts and 2 wrenches 10 mm



Security - ground screwing

Push the shelf unit into the intended place. Every unevenness of the ground must be compensated with height compensators under the shelf frame.

Drill with stone drill \varnothing 15 mm for Fischer dowels S 15 / 10 M 1

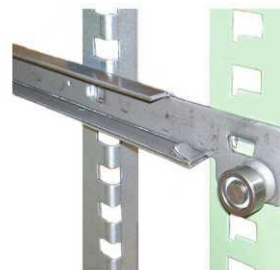
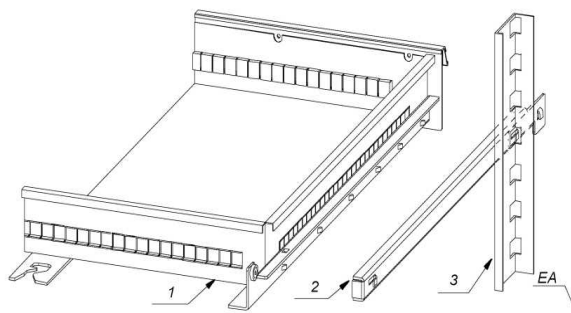


Installation of drawer with standard pull-out

1. Drawer with guide rails
2. Running rails left and right
3. Security for running rails

Installation of drawer with standard pull-out

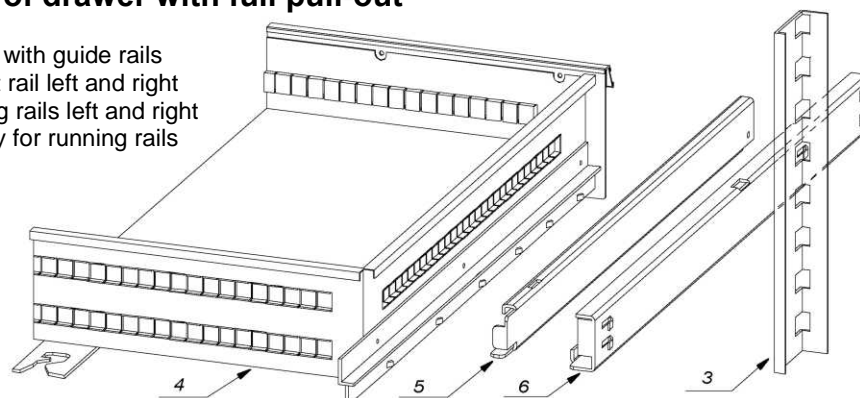
Put the left and right running rails in appropriate height into the shelf frame, hole grid 25 mm. E.g. drawer 100 mm = 4 holes Connect the running rails with the security Push in the drawer with ball bearings



Installation of drawer with full pull-out

Component

4. Drawer with guide rails
5. Pull-out rail left and right
6. Running rails left and right
3. Security for running rails



Installation of drawers with full pull-out

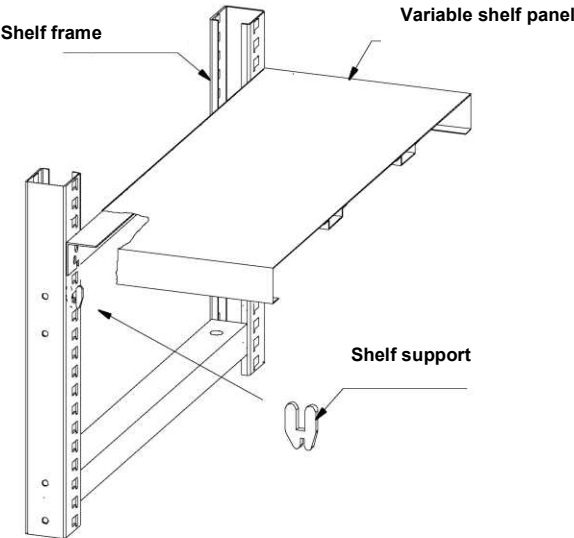
Put the left and right running rails in appropriate height into the shelf frame, hole grid 25 mm.

E.g. drawer 100 mm = 4 holes

Push the pull-out rails over the guide rails
Connect the running rails with the security.
Push in the drawer with ball bearings

Assembly of the variable shelf panels

Put the shelf supports with the bulbous side into the perforation of the shelf frame at the intended height.
Insert the variable shelf panel at an angle and hang it up at the shelf supports.

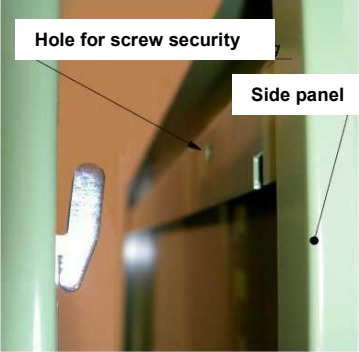


Assembly of the side panel

Put the shelf supports in the appropriate perforation of the shelf frames and hang up the side panel.

Secure the side panel against take off with cheese-head screws M 8 x 16 / nut M 8.

The screw get stuck under the crossbar



Installation of doors

There are pre-cut holes in the panels front side
They must be drilled out to 6,5 mm.

